



Forty years experience, leader in the production of traditional woodworking machines. The internally managed production allows to perform all types of work from the machine in series to custom production. The control of each passage ensures the proper functioning of the machinery and the attention to the detail.

AD530

HIGH QUALITY FINISH IN A LIMITED SPACE



AD530



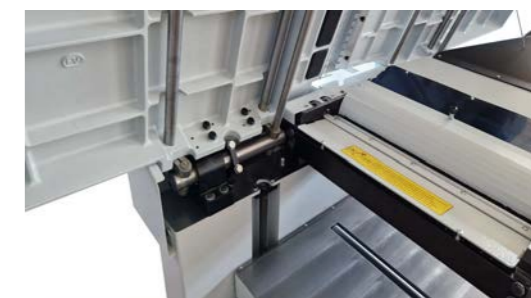
The large sized thicknessing tables, made entirely in ribbed cast iron, with simultaneous electrical raising together with the extreme reliability of the planing feed, ensure an excellent level of finish on the being processed piece.



SIMPLE AND ACCURATE MEASUREMENT READING
The digital reader, electronic, for positioning the thicknessing table allow rapid and precise reading.



INVERTER REGULATION WOOD SPEED
Wood advance regulation with inverter from 3 to 15 mt/min



ROLLERS ON THE THICKNESSER TABLE
The thicknesser table can be equipped with two adjustable idle rollers or with a motorized floating outfeed roller to guarantee a safe feed even under the worst working conditions.

RAISING THE THICKNESSING TABLE
The electrical system of raising the thicknessing table is quick and accurate with decimally adjusted impulse and electronic readout supplied as standard. The thicknessing table is raised by 4 screws with double fixings to increase stability and to enhance the level of finish on the work piece at maximum feed rates.

QUICK AND PRECISE CHANGEVER FROM SURFACE PLANING TO THICKNESSING
Quick changeover, it takes just a few seconds to move from surface planing to thicknessing or vice versa, thanks to:
a) simultaneous and electrical raising of the surfacing tables;
b) easy positioning of the safety guards that protect the shaft
c) a single extractor hood for both surfacing and thicknessing.

PLANER FENCE
The planer fence is a large anodized aluminium extrusion. Fence tilting is fast and easy thanks to a solid and reliable handle. The tilting locking/unlocking lever is very quick. Tilting precision is guaranteed by a graduated scale and reference stops at 0° and 45°.



ROLLER IN SECTIONS
The toothed roller in sections increases the pulling potential, allowing several pieces of different thickness to be fed through at the same time.



SPIRAL PLANER SHAFT



TERSA PLANER SHAFT



AD530

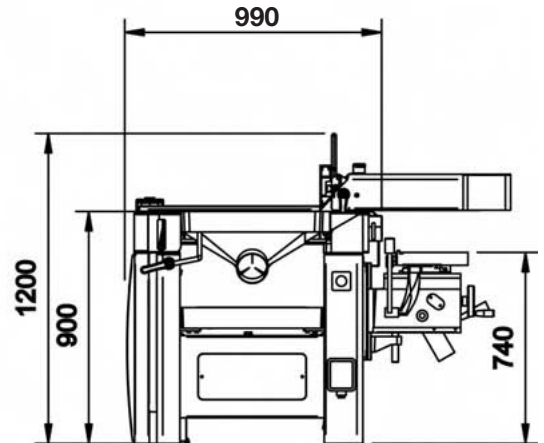
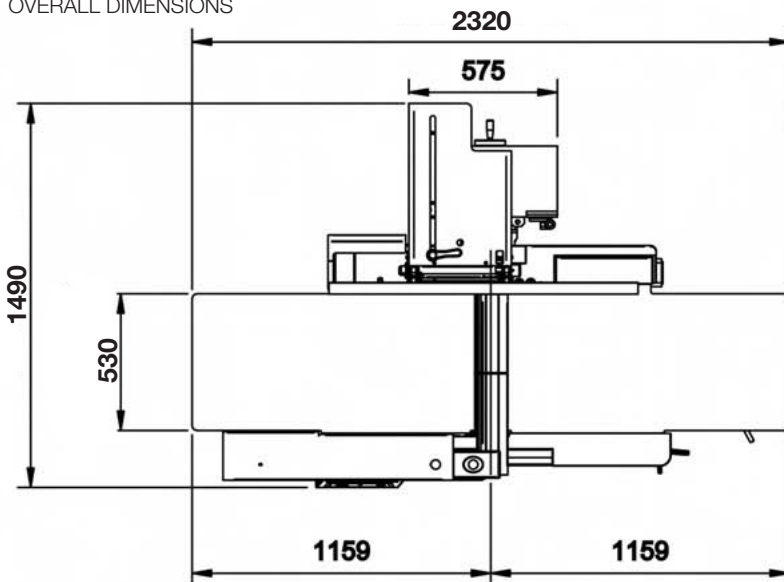
HIGH QUALITY FINISH IN A LIMITED SPACE

Technical data

AD 530

WIRE PLATE					
PLAN DIMENSION	mm	2300 X 530			
SPINDLE SHAFT WITH 4 KNIVES Ø 120 mm.	g/1'	4800			
MAX. REMOVAL	mm	13 (CE 8)			
ENGINE POWER	KW.	4 (HP 5,5)			
TILTING GUIDE / DIMENSIONS	°/mm	0 + 45 °/1200 X 175			
THICKNESS PLATE					
MAX WIDTH / MIN HEIGHT - MAX. HELPFUL	mm	530 / 3 - 250			
MAX. REMOVAL	mm	7			
ADVANCE SPEED	m/1'	3 at 15			
OVERALL DIMENSIONS	mm	2300 x 965 x 990			
NET WEIGHT	Kg	750			
SOUND EMISSION ACCORDING TO ISO7960 STANDARDS - WIRE PLATE	LA eq [dB(A)]	77,5 - 86,3			
SOUND EMISSION ACCORDING TO ISO7960 STANDARDS - THICKNESS PLATE	LA eq [dB(A)]	79,3 - 85,9			
DUST EMISSION ACCORDING TO STANDARDS DIN 33893 - WIRE PLATE	mg/m3	1,65			
DUST EMISSION ACCORDING TO STANDARDS DIN 33893 - THICKNESS PLATE	mg/m3	0,66			
The Company reserves the right to make any changes either technical or constructive.					
			BIT MORTISING MACHINE (on request) Kg. 70		
			AD 530		
			PLAN DIMENSION	mm	560 x 270
			TRANSVERSAL RACE	mm	145
			LONGITUDINAL RACE	mm	170
			VERTICAL RACE	mm	210

OVERALL DIMENSIONS



MACCHINE LAVORAZIONE LEGNO - WOODWORKING MACHINERY

C.M.A. 2000 S.r.l.

Via Cesare Pavese, 22 - 47853 Cerasolo Ausa Coriano (RN) - Italy

Tel. e Fax: +39 0541 759315

info@cma2000srl.com

commerciale@cma2000srl.com

assistenza@cma2000srl.com

www.cma2000srl.com

P.IVA 03124370408



CMA 2000



CMA 2000 srl



CMA 2000

MADE IN ITALY

